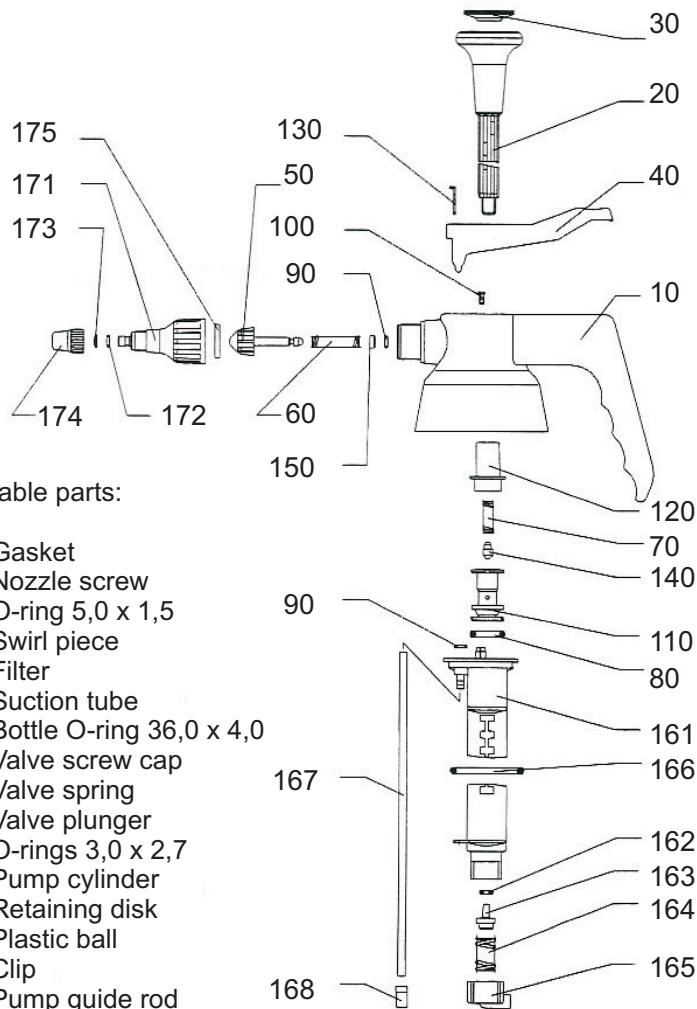


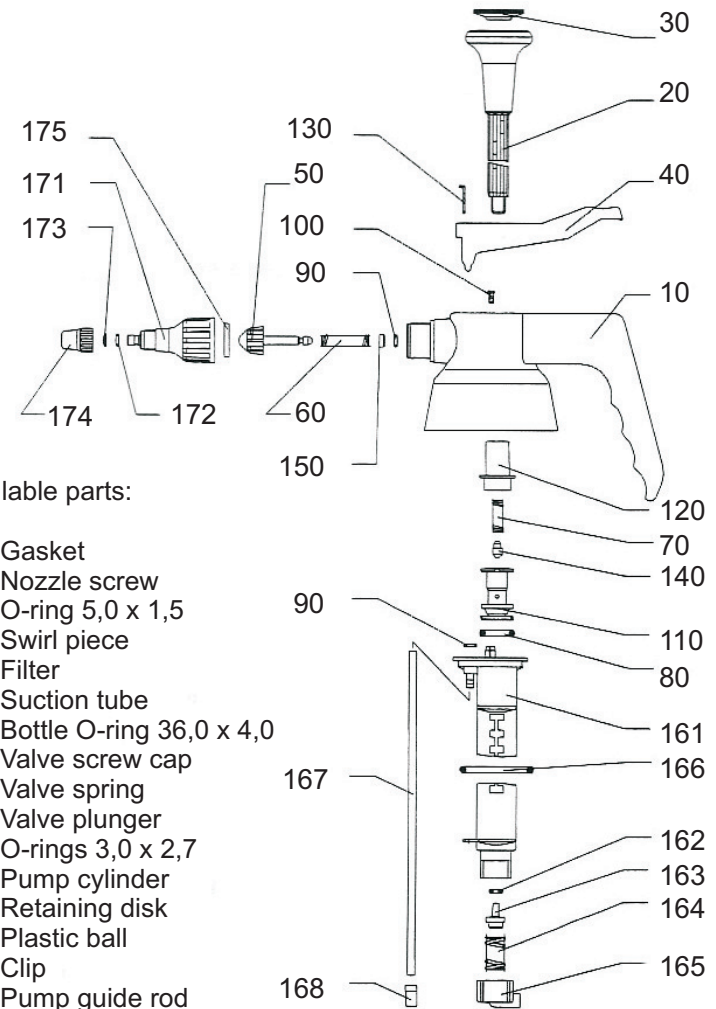
COMPRESSED AIR SPRAYER



List of available parts:

- 175 Gasket
- 174/173 Nozzle screw
- 172 O-ring 5,0 x 1,5
- 171 Swirl piece
- 168 Filter
- 167 Suction tube
- 166 Bottle O-ring 36,0 x 4,0
- 165 Valve screw cap
- 164 Valve spring
- 163 Valve plunger
- 162 O-rings 3,0 x 2,7
- 161 Pump cylinder
- 150 Retaining disk
- 140 Plastic ball
- 130 Clip
- 120 Pump guide rod
- 110 Plunger
- 100 Screw
- 90 O-ring 5,0 x 1,5
- 80 O-ring 14,0 x 3,5
- 70 Pressure spring
- 60 Spring
- 50 Swirl cone
- 40 Trigger
- 30/20 Pump with lid rod
- 10 Sprayer top

COMPRESSED AIR SPRAYER



List of available parts:

- 175 Gasket
- 174/173 Nozzle screw
- 172 O-ring 5,0 x 1,5
- 171 Swirl piece
- 168 Filter
- 167 Suction tube
- 166 Bottle O-ring 36,0 x 4,0
- 165 Valve screw cap
- 164 Valve spring
- 163 Valve plunger
- 162 O-rings 3,0 x 2,7
- 161 Pump cylinder
- 150 Retaining disk
- 140 Plastic ball
- 130 Clip
- 120 Pump guide rod
- 110 Plunger
- 100 Screw
- 90 O-ring 5,0 x 1,5
- 80 O-ring 14,0 x 3,5
- 70 Pressure spring
- 60 Spring
- 50 Swirl cone
- 40 Trigger
- 30/20 Pump with lid rod
- 10 Sprayer top